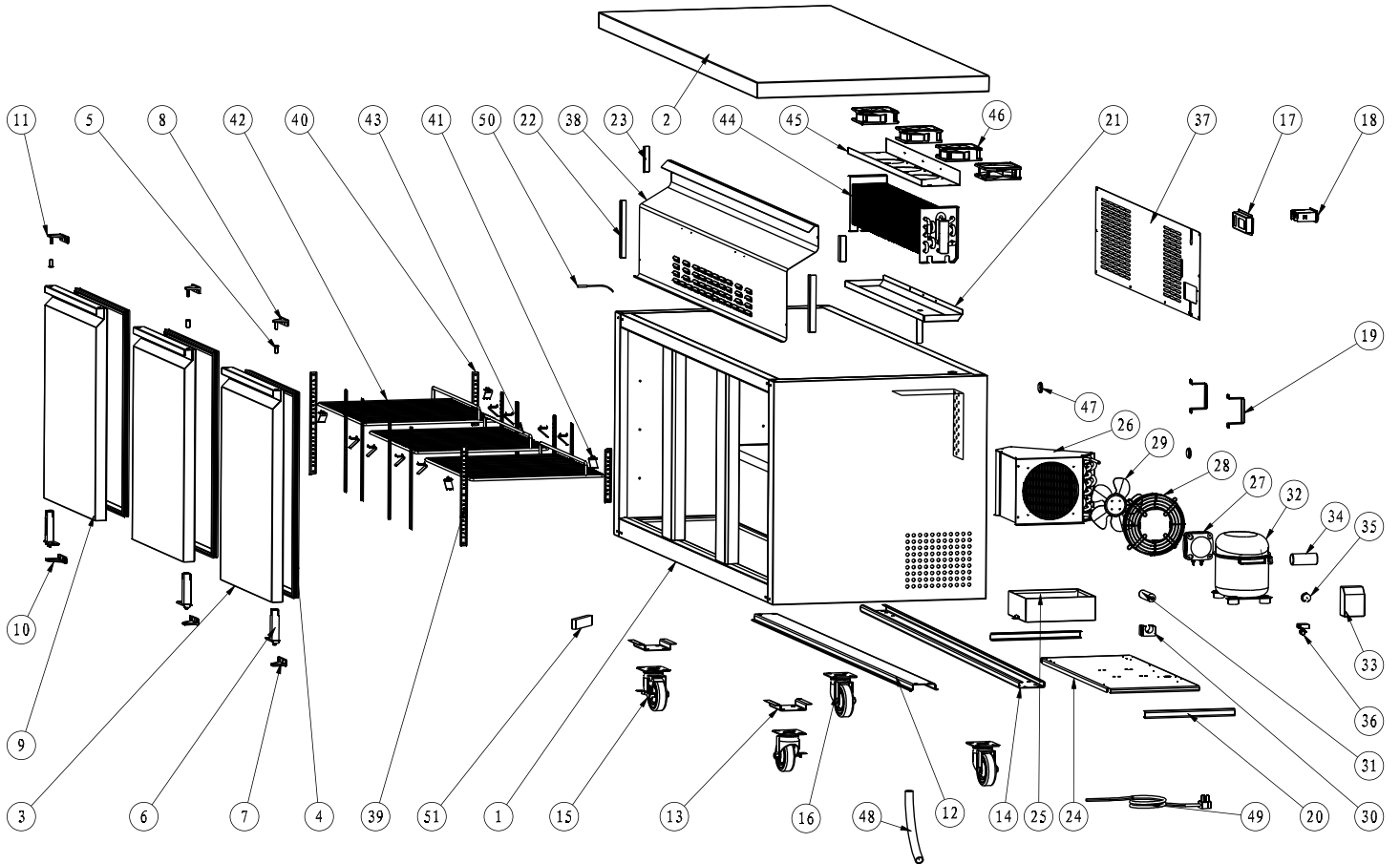


# Parts Breakdown

Model RE-CN-0016-BS-HC 50100



# Parts Breakdown

## Model RE-CN-0016-BS-HC 50100

Item No.	Description	Position	Item No.	Description	Position	Item No.	Description	Position
AK189	Cabinet for 50100	1	AB320	Thermostat Installation Board for 50100	17	AK194	Compressor Starting Components for 50100	33-36
AM694	Top Board for 50100	2	AI375	Dixell Temperature Controller for 50100	18	AK195	Back Grill for 50100	37
AF745	Right Door for 50100	3	AF080	Stand Off Bracket for 50100	19	AK196	Evaporator Cover for 50100	38
AB197	Gasket for 50100	4	AF085	Compressor Unit Track for 50100	20	AF090	K Strip-3 Holes for 50100	39
AA388	Axis Cover for 50100	5	AK193	Inner Drain Pan for 50100	21	AF089	K Strip-2 Holes for 50100	40
AA955	Left/Right Spring Hinge for 50100	6	AF738	Evaporator Cover Sticker for 50100	22	26884	K Clip for 50100	41
AA360	Hinge T for 50100	7	AF739	Evaporator Cover Sticker for 50100	23	AB220	Shelf for 50100	42
AF070	Hinge X for 50100	8	AF106	Compressor Unit Installation Board for 50100	24	AK197	Middle Shelf for 50100	43
AF746	Left Door for 50100	9	AA874	Outer Drain Pan for 50100	25	AB221	Evaporator for 50100	44
61468	Hinge V for 50100	10	AB159	Condenser for 50100	26	AK198	Fan Motor Installation Board for 50100	45
AB200	Hinge W for 50100	11	AI963	Condenser Fan Motor for 50100	27	AA128	Condenser Fan Motor for 50100	46
AK191	Castor Support B for 50100	12	AA207	Condenser Fan Motor Cover for 50100	28	AB169	Foaming Hole Cover for 50100	47
AF734	Castor Support C for 50100	13	AA208	Condenser Fan Blade for 50100	29	AA133	Drain Hose for 50100	48
AK192	Castor Support A for 50100	14	AB595	Filter Fixer for 50100	30	AA135	Power Cord for 50100	49
26246	Caster with Brake for 50100	15	AI968	Filter for 50100	31	AA379	Temperature Probe for 50100	50
26247	Caster without Brake for 50100	16	AE906	Compressor for 50100	32	AA596	Thermometer for 50100	51